

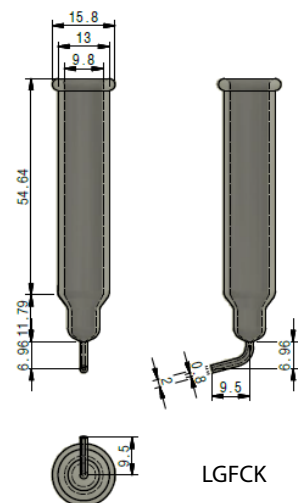
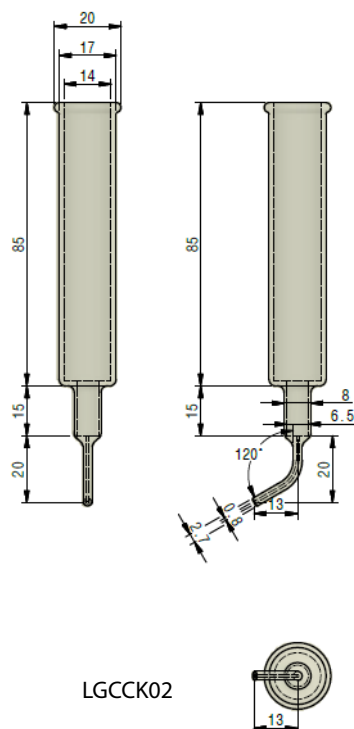
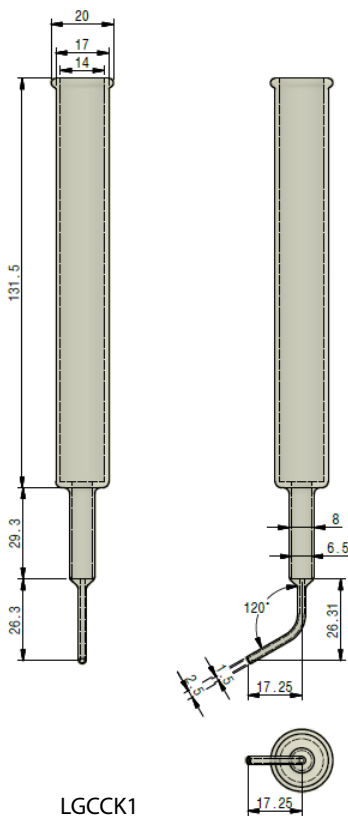
# Luggin Capillary

## Features

To minimize Ohmic IR-drop, the Luggin capillary holding a reference electrode should be placed near working electrode  
 material : glass

## Ordering Guide

Description	Part No.
for CCK1, CCK05, WCCK1, and WCCK05	LGCKK1
for CCK02, and CCK01	LGCKK02
for FCK2, WFCK2, and FCK15C	LGFKK



WonATech Co., Ltd.  
 7, Neunganmal 1-gil, Seocho-gu,  
 Seoul, 06801, Korea  
 Phone: +82-2-578-6516  
 Fax: +82-576-2635  
 e-mail) sales@wonatech.com  
 website: www.wonatech.com

Local Distributor

